

10: Architectural Drains

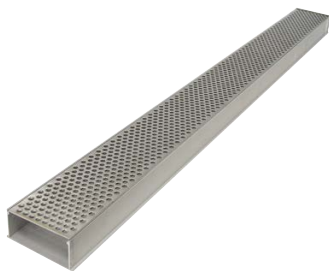
VINCO Architectural Drains are manufactured strictly to Australian Standards using the highest quality materials.

Architectural Drains



- Grating made from genuine 304 grade stainless steel for extended service life
- Channel made from high-grade aluminium to reduce weight
- L shaped support allows easy removal of grating for cleaning of channel
- Grating is kept securely in place by separate end piece supplied
- Modular design allows easy installation and extension
- All dimensions are in mm

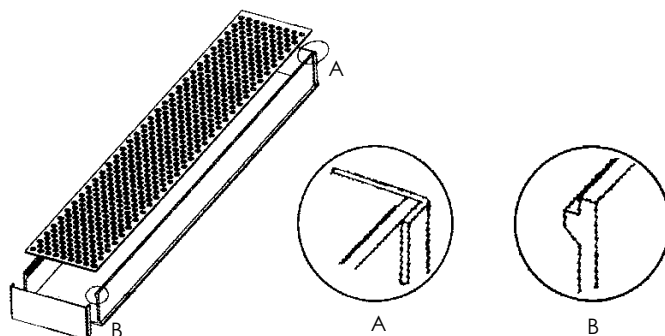
Architectural Drains



Product Code	Overall size LxWxD	Ctn qty	Pack	Price
CHNL1000	1000x94.6(inner 84)x41.5 (2.5mm thick grate)	4	BOX	POA
CHNL1500	1500x94.6(inner 84)x41.5 (2.5mm thick grate)	4	BOX	POA
CHNL1000A	1000x94.6(inner 84)x41.5 (3mm thick grate)	4	BOX	POA

Length: 1000 & 1500 mm
Grating Width: 84 mm
Channel Width: inner 84 mm, outer 94.6 mm
Depth: 41.5 mm

Suitable for:
Residential use
Commercial use
Bathrooms
Balconies
Swimming pools
Gardens
Commercial Kitchens



10: Architectural Drains

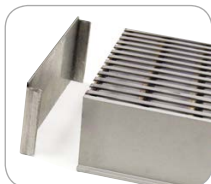
VINCO Architectural Drains are manufactured strictly to Australian Standards using the highest quality materials.

Heel Guard Drains - 304 Stainless Steel



- Grating made from genuine 304 grade stainless steel for extended service life
- Channel made from high-grade aluminium to reduce weight
- L shaped support allows easy removal of grating for cleaning of channel
- Grating is kept securely in place by separate end piece supplied
- Modular design allows easy installation and extension
- All dimensions are in mm

Heel Guard System



Product Code	Overall size LxWxD	Ctn qty	Pack	Price
--------------	--------------------	---------	------	-------

CH-HG 25	1000x94.6(inner 84)x25 (4mm thick grate)	4	BOX	POA
----------	---	---	-----	-----



CH-HG 415	1000x94.6(inner 84)x41.5 (4mm thick grate)	4	BOX	POA
-----------	---	---	-----	-----



Length: 1000 mm
Grating Width: 83 mm
Channel Width: inner 84 mm, outer 94.6 mm
Depth: Available in both 25mm and 41.5 mm

Suitable for:
Residential use
Commercial use
Bathrooms
Balconies
Swimming pools
Gardens
Commercial Kitchens



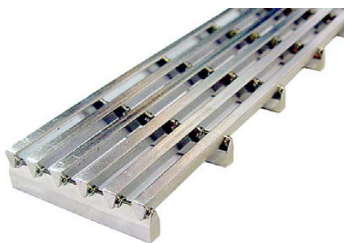
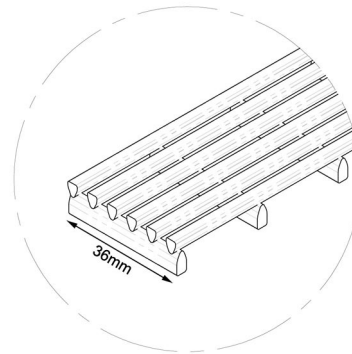
WaterMark
Certificate No: 23047

10: Architectural Drains

316 Stainless Steel Heel Guard Drains

Heel Guard Cover Top

Product Code	Overall size LxWxD	Ctn qty	Pack	Price
CH-HG 1000X36MM SS-316	HEEL GUARD 1000 x 36 x 10 mm #316 Grade SS - COVER TOP ONLY	20	BOX	POA



Top Only



Top + Channel



Channel Only

Heel Guard Channel

Product Code	Overall size LxWxD	Ctn qty	Pack	Price
CH-HG 1000X36MM CHANNEL	Aluminium Channel For CH-HG 1000X36MM 1000 x 40 x 30 mm	20	BOX	POA

Clear Anodised Finish (CA)



Manufactured from
6063 T5 Aluminium Alloy

