

13: Stainless Steel Clamps

Contemporary & Stylish the perfect alternative to timber or aluminium balustrading

- Made from 316 marine grade stainless steel
- Designed for 8mm~12mm toughened glass
- This free standing system requires minimum structures, resulting in unobstructed viewing and maximum light transmission.



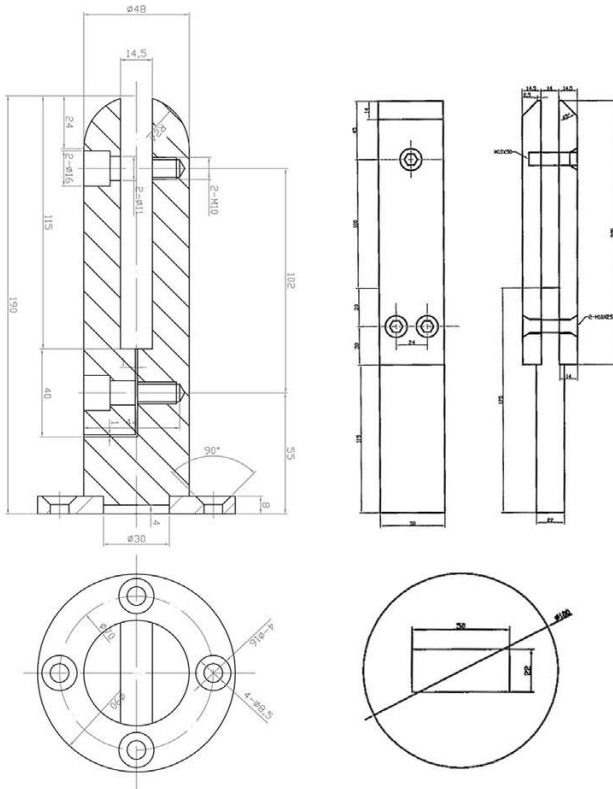
GBF01-316 PSS



GBF02-316 PSS

Product Code	Price
GBF01-316-SS	POA
GBF01-316-PSS	POA

Product Code	Price
GBF02-316-SS	POA
GBF02-316-PSS	POA



13.
Stainless Steel Clamps

13: Stainless Steel Clamps

Contemporary & Stylish the perfect alternative to timber or aluminium balustrading

- Round Style Swimming Pool Glass Balustrade.
 - Suitable For Glass 12-18 mm Thick.
 - Single Hole Glass Fixing.
 - Stainless Steel & Polished Stainless Steel Finishes.
 - Includes Cover Plate.
- Square Style Swimming Pool Glass Balustrade.
 - Suitable For Glass 12-20 mm Thick.
 - 2 Holes Glass Fixing.
 - Stainless Steel & Polished Stainless Steel Finishes.
 - Includes Cover Plate.
- Round Style Swimming Pool Glass Balustrade No Hole Insert Request.
 - Suitable For Glass 10-12 mm Thick.
 - No Holes Through Glass Holding.
 - 2 Grub Screws, 1 Pressure Plate.
 - Stainless Steel & Polished Stainless Steel Finishes.



GBF03-316

Product Code	Price
GBF03-316-PSS	POA



GBF04-316

Product Code	Price
GBF04-316-SS	POA



GBF05-316

Product Code	Price
GBF05-316-PSS	POA

