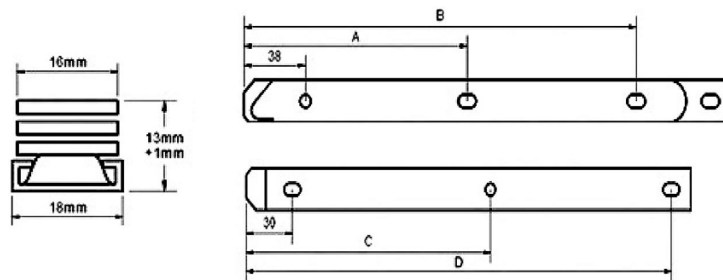


16: Awning Window Stays

Stainless Steel Awning Window Stays

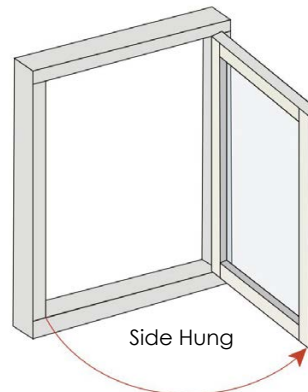
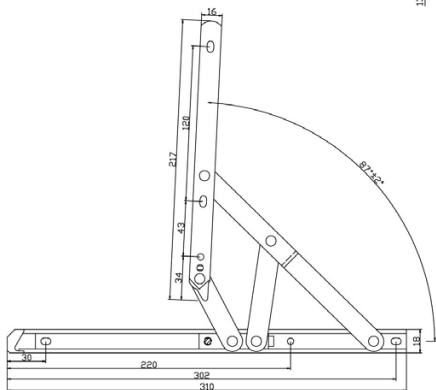
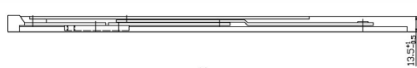
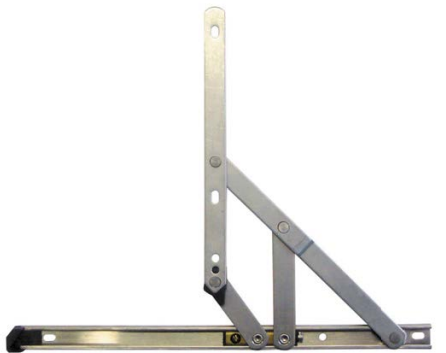
- Manufactured from 304 Grade Stainless Steel
- The unique design provides an accurate closure and secure weatherproof seal for the window.
- With the composite steel/ plastic slider
- Mainly used for project of domestic windows
- SDS12-LR and SDS16-LR can also be chosen for side open casement



	Stack Height	A	B	C	D
SDS12-LR	13/13.5	81	201	220	302
SDS16-LR	13/13.5	138.5	265	315	405
SDS20-LR	13/13.5	208	309	205	506

Awning Window Stays

Product Code	Description	Finish	Ctn qty	Pack	Price
SDS12-LR	Stainless Steel 310mm Awning Stay Side Open	SS	25	BU	POA



SDS12-LR (Side Hung)	
Max Vent Height	1400 MM
Max Vent Width	600 MM
Max Vent Weight	16 KG
Open Angle	87°